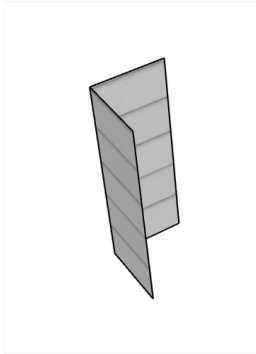


Sold as 2 "L" sections



ECDUCT		SIZE				
PART #	A	B	C	CONNECTION	COST	
ECDUCT 161648D	15.25"	15.25"	48"	RAW	\$53.00	
ECDUCT 181848D	17.25"	17.25"	48"	RAW	\$53.00	
ECDUCT 202048D	19.25"	19.25"	48"	RAW	\$53.00	
ECDUCT 161648S	16"	16"	48"	RAW	\$53.00	
ECDUCT 181848S	18"	18"	48"	RAW	\$53.00	
ECDUCT 202048S	20"	20"	48"	RAW	\$53.00	
ECDUCT CUSTOM						Contact for price

Description: Straight rectangular duct, with out liner. For use with G-LOC AC flashing

Construction: 26ga G90 galvanized, button-lock seams, .25" stiffening bead every 12 " on center. +2" W.G. SMACNA STANDARDS

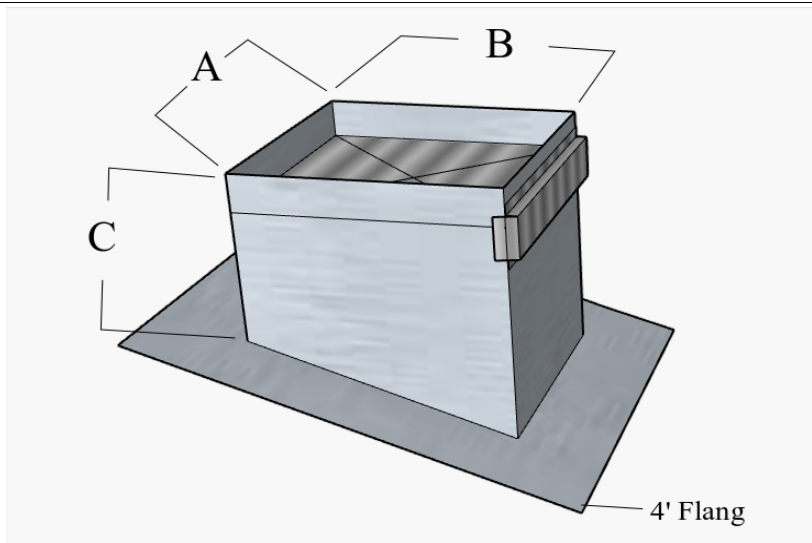
Part# ending in D, sized to slip into G-LOC flashing, ECRJDDP, and ECRJDDF

Part# ending in S, sized to slip into G-LOC flashing, ECRJSDP, ECRJSDF, ECRJUCDDP, AND ECRJUCDDF

**\*Note\***

**Duct shipped knocked down,  
assemble and seal at the time of install.**

# G-LOC



ECRJDDP		SIZE				
PART #	A	B	C	PITCH	COST	
ECRJ 16DDP	15.5"	15.5"	7.5"	4-12	\$62.00	
ECRJ 18DDP	17.5"	17.5"	7.5"	4-12	\$62.00	
ECRJ 20DDP	19.5"	19.5"	7.5"	4-12	\$62.00	
ECRJ CUSTOM					Contact for price	

Description: AC flashing with damper on a 4-12 pitch (4" of rise for per 12" of horizontal)

Construction: 26ga G90 galvanized spot welded seams.

ECRJDDP will slip into most standard 4 sided media swamp coolers.

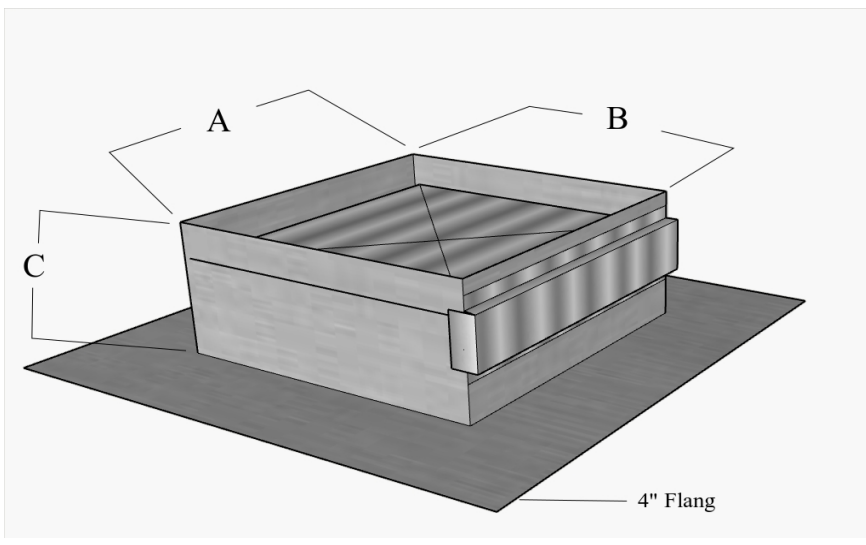
ECRJDDP will slip over ECDUCT—D, of corresponding size

Custom sizes and pitches can be provided within 24 hours of ordering.

**\*Note\***

**Flashing to be sealed at time of install**

# G-LOC



ECRJDDF	SIZE				
PART #	A	B	C	PITCH	COST
ECRJ 16DDF	15.5"	15.5"	7.5"	0-12	\$62.00
ECRJ 18DDF	17.5"	17.5"	7.5"	0-12	\$62.00
ECRJ 20DDF	19.5"	19.5"	7.5"	0-12	\$62.00
ECRJ CUSTOM				0-12	Contact for price

Description: AC flat flashing with damper

Construction: 26ga G90 galvanized spot welded seams.

ECRJDDF will slip into most standard 4 sided media swamp coolers.

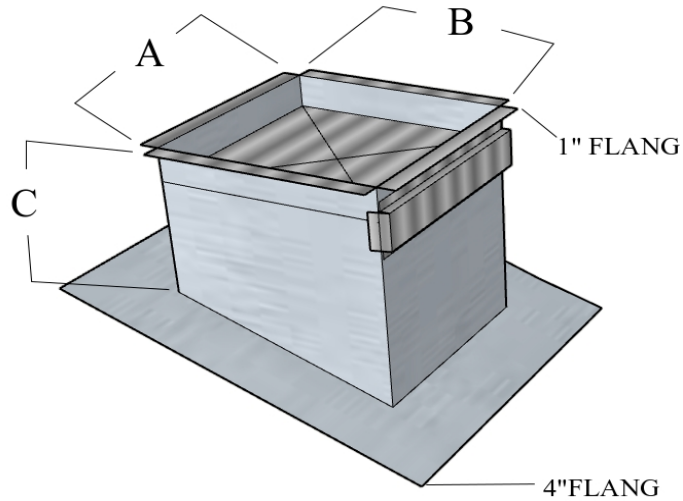
ECRJDDF will slip over ECDUCT—D of corresponding size.

Custom sizes and pitches can be provided within 24 hours of ordering.

**\*Note\***

**Flashing to be sealed at time of install**

# G-LOC



ECRJUCDDP		SIZE				
PART #	A	B	C	PITCH	COST	
ECRJHE 16DDP	16.5"	16.5"	7.5"	4-12	\$62.00	
ECRJHE 18DDP	18.5"	18.5"	7.5"	4-12	\$62.00	
ECRJHE 20DDP	20.5"	20.5"	7.5"	4-12	\$62.00	
ECRJHE CUSTOM					Contact for price	

Description: AC flashing with damper on a 4-12 pitch (4" of rise for per 12" of horizontal)

Construction: 26ga G90 galvanized spot welded seams.

ECRJHEDDP will slip into most standard high efficiency swamp cooler with rigid media.

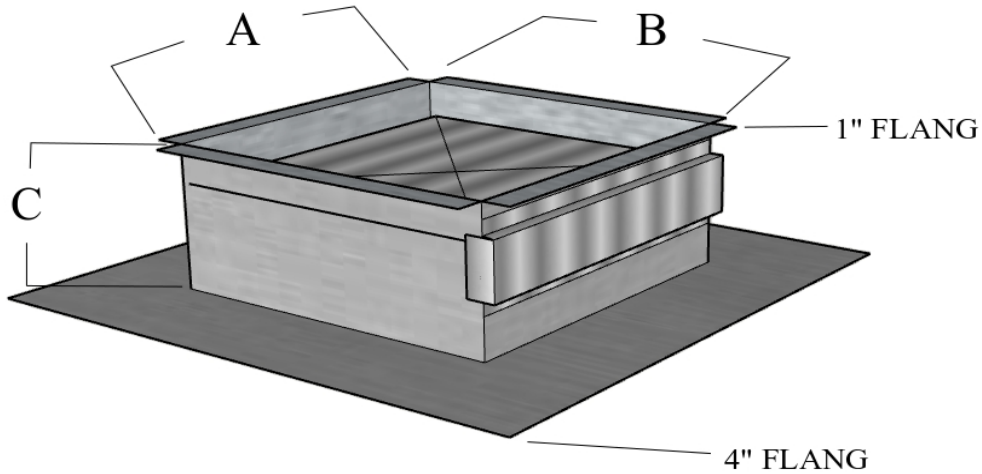
ECRJHEDDP will slip over ECDUCT—S of corresponding size

Custom sizes and pitches can be provided within 24 hours of ordering.

**\*Note\***

**Flashing to be sealed at time of install**

# G-LOC



ECRJUCDDF	SIZE				
PART #	A	B	C	PITCH	COST
ECRJHE 16DDF	16.5"	16.5"	7.5"	4-12	\$50.00
ECRJHE 18DDF	18.5"	18.5"	7.5"	4-12	\$50.00
ECRJHE 20DDF	20.5"	20.5"	7.5"	4-12	\$50.00
ECRJHE CUSTOM	Contact for price				

Description: Flat AC flashing with damper

Construction: 26ga G90 galvanized spot welded seams.

ECRJHEDDF will fit most standard high efficiency swamp coolers with rigid media.

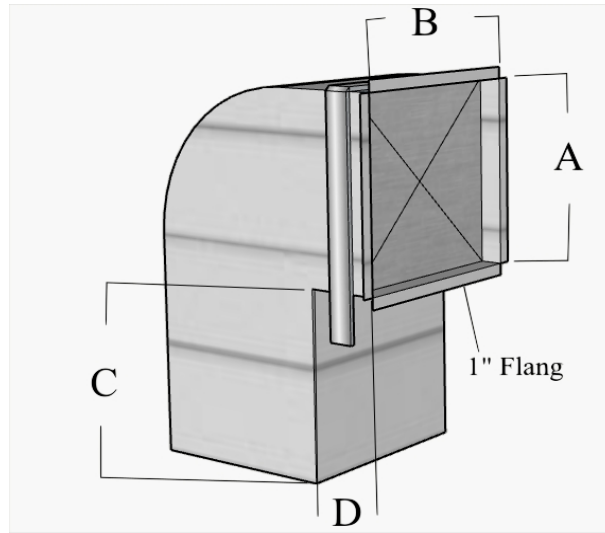
ECRJHEDDP will slip over ECDUCT—S

Custom sizes and pitches can be provided within 24 hours of ordering.

**\*Note\***

**Flashing to be sealed at time of install**

# G-LOC



ECELF	SIZE				
PART #	A	B	C	D	COST
ECEL 16.5F	16.5"	16.5"	16"	6"	\$115.00
ECEL 18.5F	18.5"	18.5"	16"	6"	\$115.00
ECEL 20.5F	20.5"	20.5"	16"	6"	\$115.00
ECEL CUSTOM					Contact for price

Description: AC elbow at 90 degrees with damper

Construction: 26ga G90 galvanized, pittsburgh seams

ECELF will fit most side draft swamp coolers

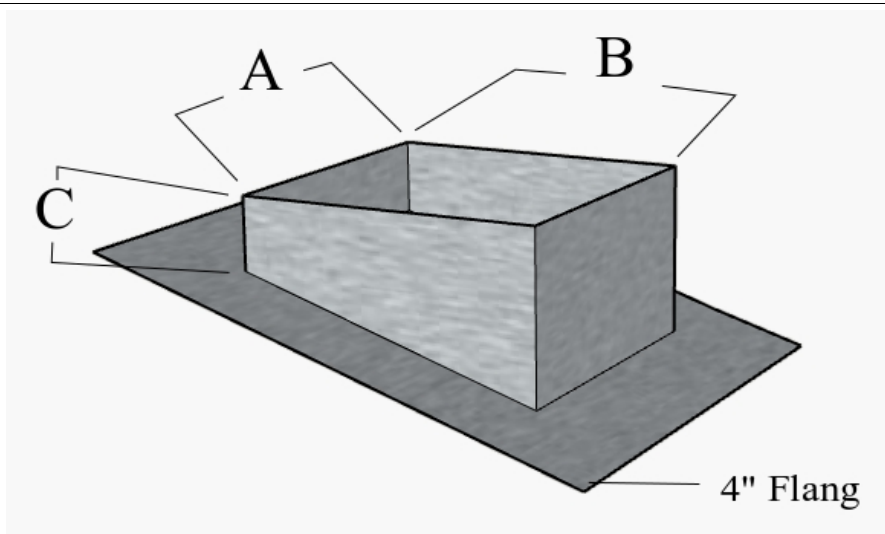
ECELF will slip over ECRJSDP, and ECRJSDF of corresponding size.

Custom sizes can be provided within 24 hours of ordering.

**\*Note\***

**ECELF shipped assemble to be sealed at time of install**

# G-LOC



ECRJSDP	SIZE				
PART #	A	B	C	PITCH	COST
ECRJ 16SDP	16.25"	16.25"	4"	4-12	\$50.00
ECRJ 18SDP	18.25"	18.25"	4"	4-12	\$50.00
ECRJ 20SDP	20.25"	20.25"	4"	4-12	\$50.00
ECRJ CUSTOM					Contact for price

Description: Pitched AC flashing (no damper) used with G-LOC ECEL, and ECDUCT---S

Construction: 26ga G90 galvanized spot welded seams.

ECRJSDP will slip into ECEL of corresponding size

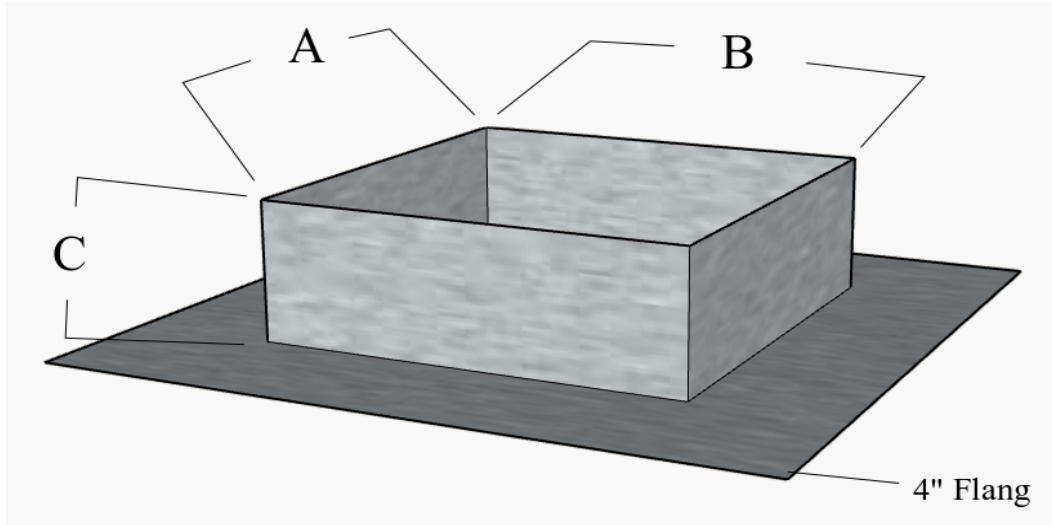
ECRJSDP will slip over ECDUCT—S of corresponding size.

Custom sizes and pitches can be provided within 24 hours of ordering.

**\*Note\***

**Flashing to be sealed at time of install**

# G-LOC



ECRJSDF	SIZE				
PART #	A	B	C	PITCH	COST
ECRJ 16SDF	16.25"	16.25"	4"	4-12	\$40.00
ECRJ 18SDF	18.25"	18.25"	4"	4-12	\$40.00
ECRJ 20SDF	20.25"	20.25"	4"	4-12	\$40.00
ECRJ CUSTOM					Contact for price

Description: Flat AC flashing (no damper) used with ECEL, and ECDUCT---S

Construction: 26ga G90 galvanized spot welded seams.

ECRJSDF will slip into ECEL of corresponding size

ECRJSDF will slip over ECDUCT—S of corresponding size.

Custom sizes and pitches can be provided within 24 hours of ordering.

**\*Note\***

**Flashing to be sealed at time of install**