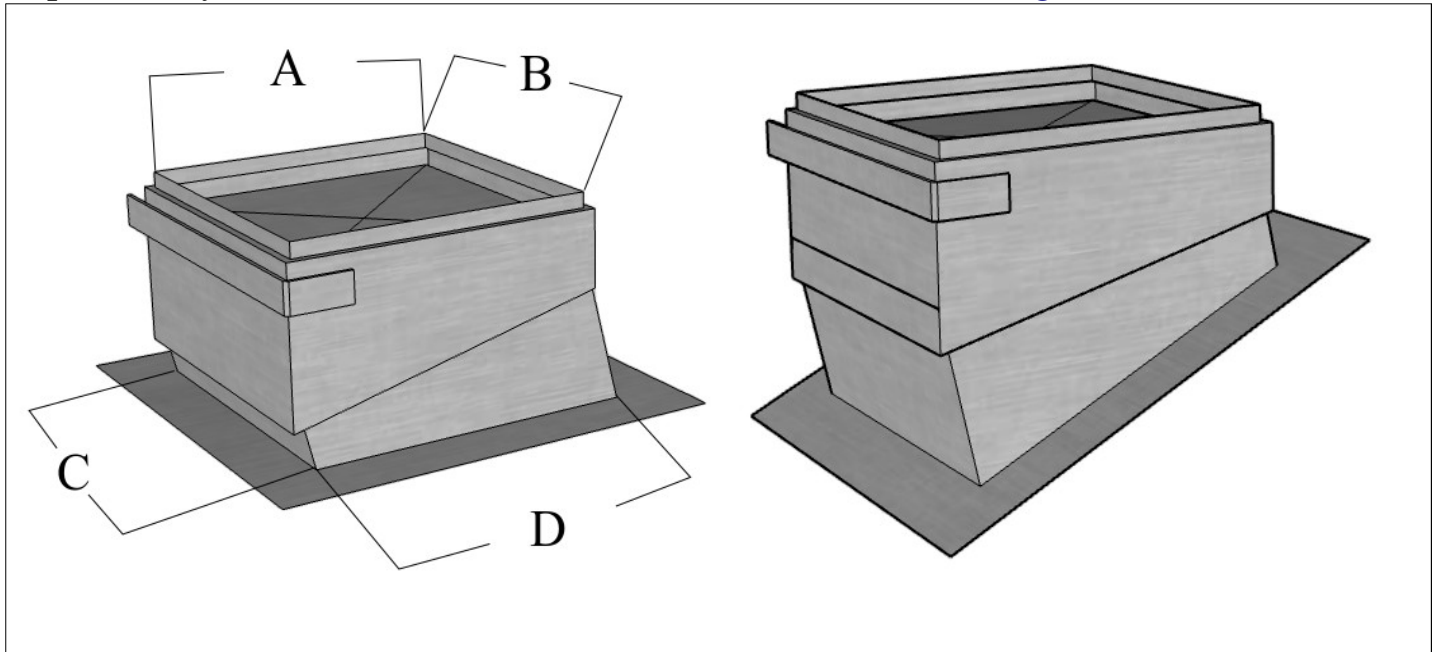




A product by Gorman Industries Inc. PH: 505-247-1596 [www.gormanindustries.com](http://www.gormanindustries.com)



## Universal Adjustable Roof Jack

Part #	A	B	C	D	PITCH			Cost
ECRJADJ20	19.5"	19.5"	20.25"	20.25"	0-12	TO	6-12	\$85.00
ECRJADJ18	17.5"	17.5"	18.25"	18.25"	0-12	TO	6-12	\$85.00
ECRJADJ16	15.5"	15.5"	16.25"	16.25"	0-12	TO	6-12	\$85.00

Universal Adjustable Roof Jack with damper

Sized to slip into most soft medial and rigid media down flow swamp coolers. Bottom opening (C and D) sized to slip over, 16"x16", 18"x18", and 20"x20" roof penetrations.

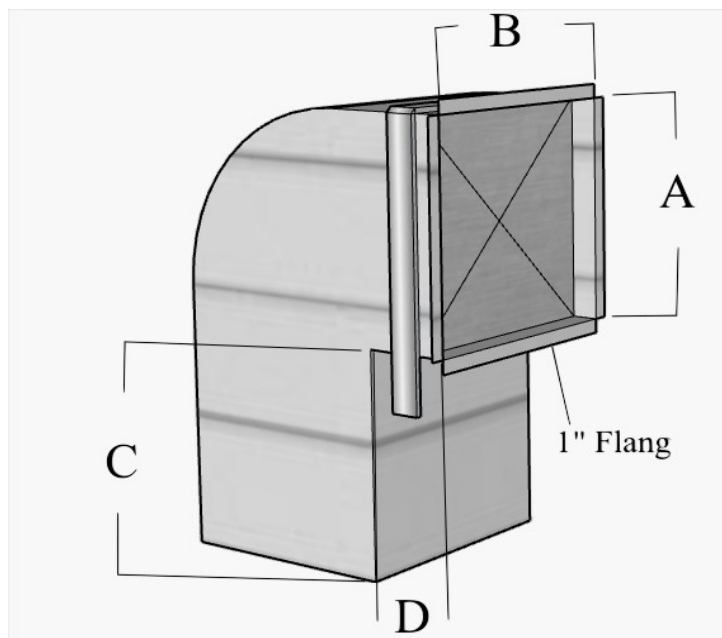
Construction: 26ga G90 spot welded seams

### **\*NOTE\***

**Roof Jack must be adjusted to pitch and sealed by installer.**

Email orders to [nicholas@gormanindustries.com](mailto:nicholas@gormanindustries.com)

# G-LOC



ECELF PART #	SIZE				COST
	A	B	C	D	
ECEL 16.5F	16.5"	16.5"	16"	6"	\$115.00
ECEL 18.5F	18.5"	18.5"	16"	6"	\$115.00
ECEL 20.5F	20.5"	20.5"	16"	6"	\$115.00
ECEL CUSTOM					Contact for price

Description: AC elbow at 90 degrees with damper

Construction: 26ga G90 galvanized, pittsburgh seams

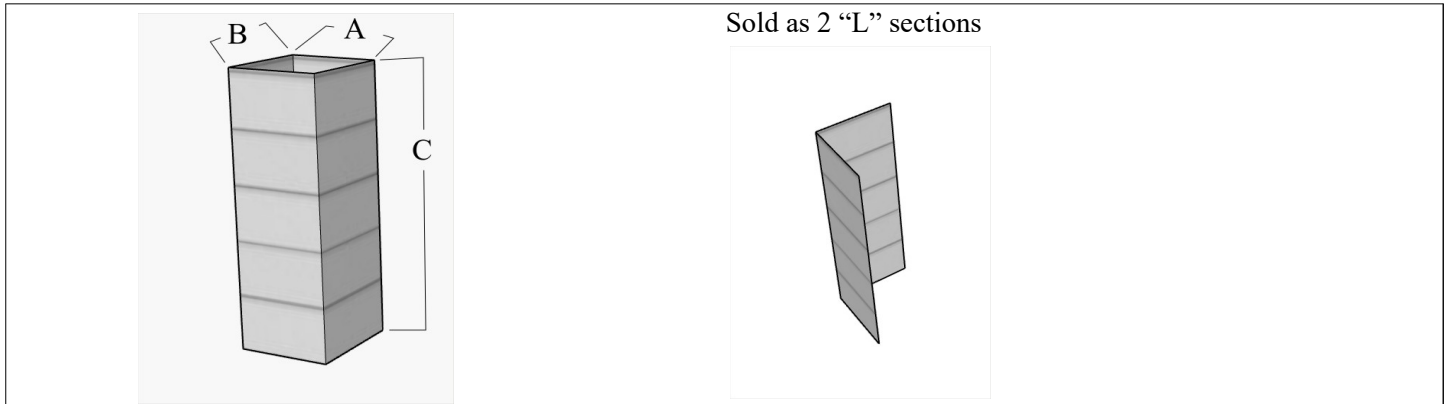
ECELF will fit most side draft swamp coolers

ECELF will slip over ECRJSDP, and ECRJSDF of corresponding size.

Custom sizes can be provided within 24 hours of ordering.

**\*Note\***

**ECELF shipped assemble to be sealed at time of install**

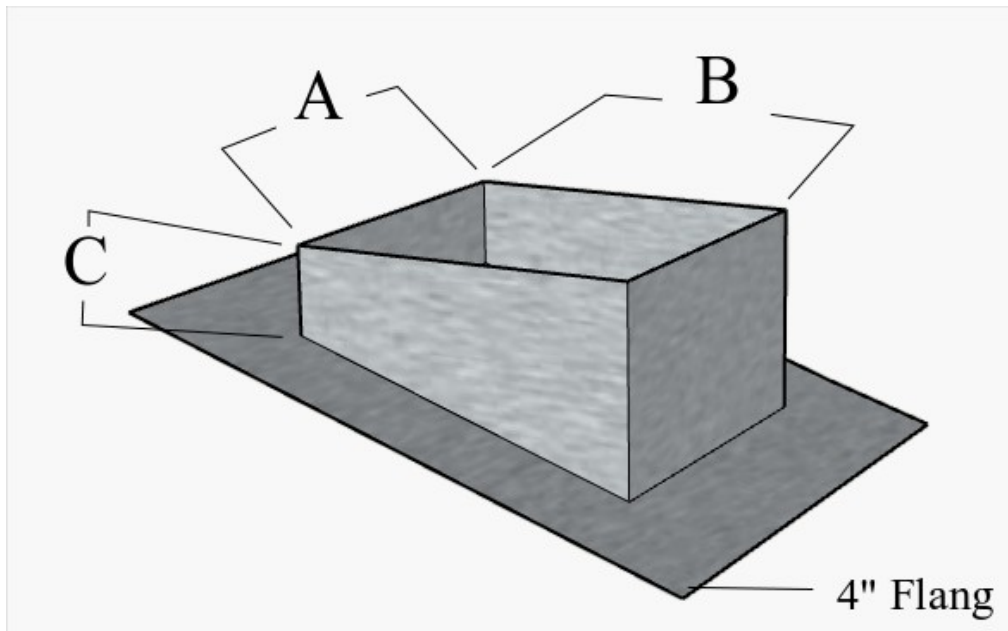


ECDUCT PART #	SIZE			CONNECTION	COST
	A	B	C		
ECDUCT 161648S	16"	16"	48"	RAW	\$53.00
ECDUCT 181848S	18"	18"	48"	RAW	\$53.00
ECDUCT 202048S	20"	20"	48"	RAW	\$53.00
ECDUCT CUSTOM					Contact for price

Description: Straight rectangular duct, with out liner. For use with G-LOC AC flashing  
 Construction: 26ga G90 galvanized, button-lock seams, .25" stiffening bead every 12 "on center.  
 +2" W.G. SMACNA STANDARDS  
 Part# ending in S, sized to slip into G-LOC flashing, ECRJSDP, ECRJSDF, ECRJADJ

**\*Note\***  
**Duct shipped knocked down,**  
**assemble and seal at the time of install.**

# G-LOC



ECRJSDP	SIZE			PITCH	COST
	A	B	C		
ECRJ 16SDP	16.25"	16.25"	4"	4-12	\$50.00
ECRJ 18SDP	18.25"	18.25"	4"	4-12	\$50.00
ECRJ 20SDP	20.25"	20.25"	4"	4-12	\$50.00
ECRJ CUSTOM					Contact for price

Description: Pitched AC flashing (no damper) used with G-LOC ECEL, and ECDUCT---S

Construction: 26ga G90 galvanized spot welded seams.

ECRJSDP will slip into ECEL of corresponding size

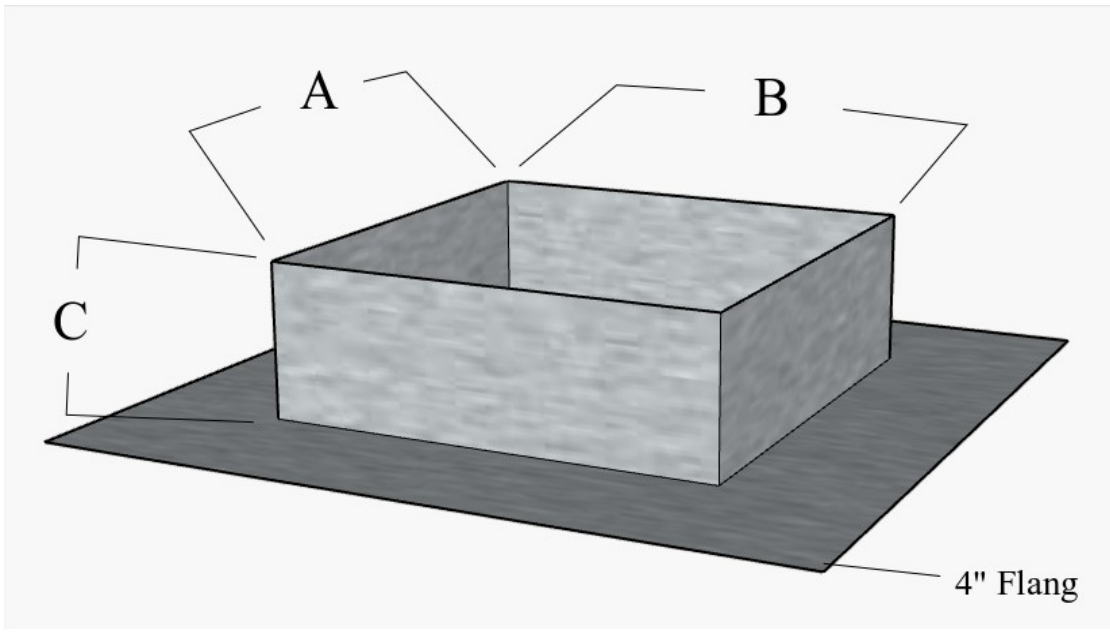
ECRJSDP will slip over ECDUCT—S of corresponding size.

Custom sizes and pitches can be provided within 24 hours of ordering.

**\*Note\***

**Flashing to be sealed at time of install**

# G-LOC



ECRJSDF	SIZE				
PART #	A	B	C	PITCH	COST
ECRJ 16SDF	16.25"	16.25"	4"	4-12	\$40.00
ECRJ 18SDF	18.25"	18.25"	4"	4-12	\$40.00
ECRJ 20SDF	20.25"	20.25"	4"	4-12	\$40.00
ECRJ CUSTOM					Contact for price

Description: Flat AC flashing (no damper) used with ECEL, and ECDUCT---S

Construction: 26ga G90 galvanized spot welded seams.

ECRJSDF will slip into ECEL of corresponding size

ECRJSDF will slip over ECDUCT—S of corresponding size.

Custom sizes and pitches can be provided within 24 hours of ordering.

**\*Note\***

**Flashing to be sealed at time of install**