

**Pumps designed for today's  
hydronic installations.**

# Circulating Pumps With a Whole New Twist

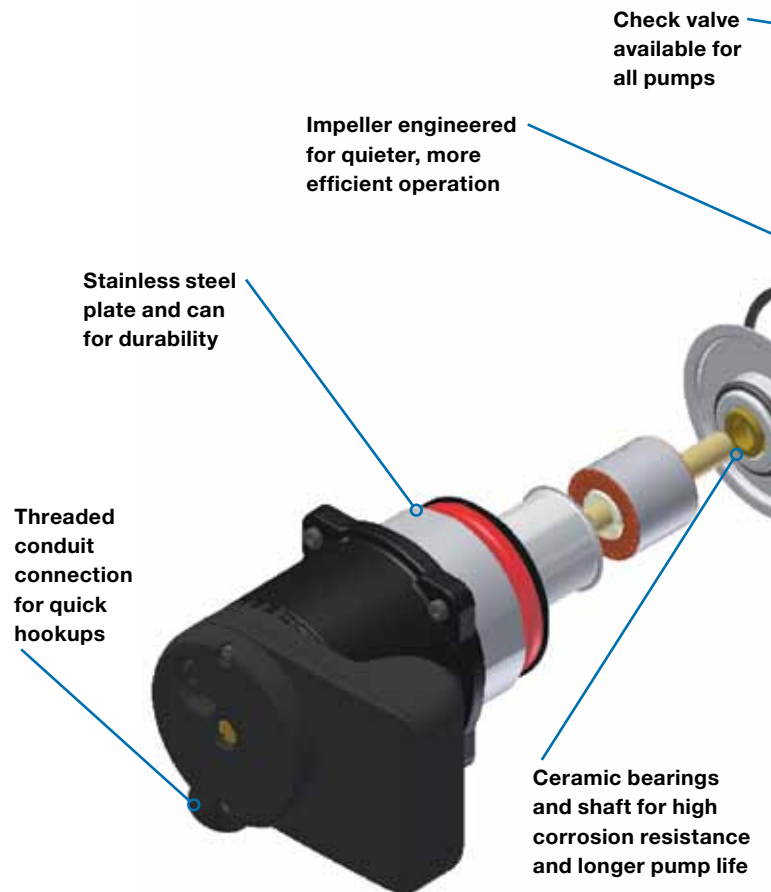
As a hydronics contractor, you know the limitations of residential boiler rooms. Space is at a premium and water pipe runs can present challenging installations. This typically means having to bring multiple pumps and valves to any given install.

AquaPUMP eliminates the guesswork in the boiler room. With three sizes, multiple speeds for each size and the unique Twist-To-Fit flange, AquaPUMP has you covered for every application. And because a single AquaPUMP can replace a wide range of competitive models, you can handle nearly all retrofits with just one brand.

## Twist-To-Fit

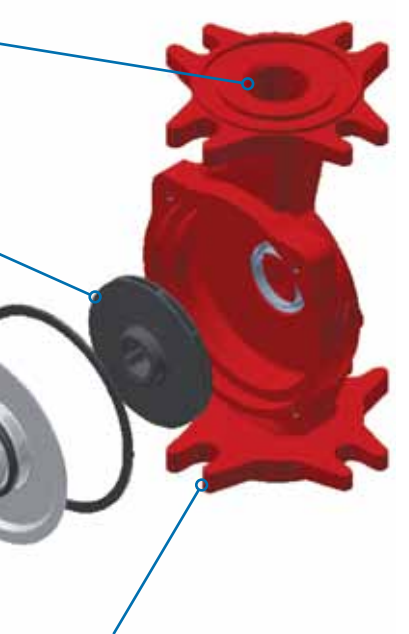


The Twist-To-Fit design for AquaPUMP means you will always find space for the pump housing in every boiler room application. Honeywell AquaPUMP's can be rotated 90° for the exact fit you need. No more carrying multiple pumps to make sure you have a model that fits. The AquaPUMP line has you covered.



## Save Time. Save Space.

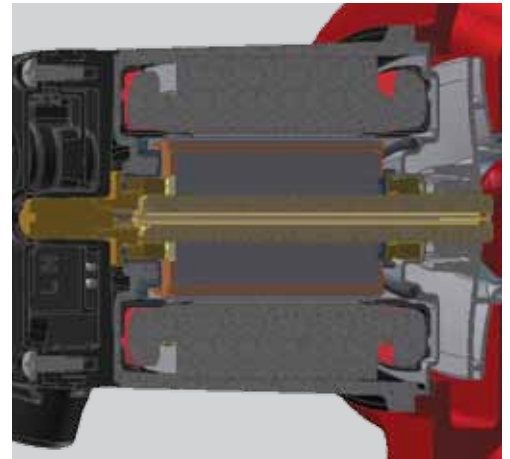
Whether you are installing a pump with zone valves or a complete circulating pump zoning solution, Honeywell now offers you one brand with endless application flexibility. With AquaPUMP you get:



Four bolt Twist-To-Fit flange for installation versatility



**3-Speed Versatility** — Maximize efficiency and provide sufficient flow rates with a single pump.



**Built-in quality** — Hardened ceramic internal shaft and bearings for long-lasting, dependable performance.



**Quiet Operation** — Reduced operational noise and vibrations help extend the life of the pump and eliminate callbacks.



**Separate Flow Check** — The Honeywell flow check is sold as a standalone part so there is no need to stock a separate pump assembly.

## 5-year Product Warranty.

Demonstrating our commitment to the quality built into each one of our hydronic heating and cooling circulation pumps, every Honeywell AquaPUMP carries a comprehensive 5-year warranty.

**5-YEAR**  
WARRANTY

# For all your hydronic heating needs, the name to know is Honeywell.

From our popular zone valves, Aquastats, and the energy-saving Aquatrol™ you can meet just about every boiler room need with just one brand. AquaPUMP is the latest in Honeywell's complete lineup of hydronic heating solutions.



Use this cross-reference tool to meet your installation needs. Each Honeywell circulator replaces both regular and rotated flange models.

Honeywell			Grundfos		Taco		Bell & Gossett	Armstrong	Wilo	
Model	Pump Length	Speed	Single Speed	3-Speed	Single Speed	3-Speed			Single Speed	3-Speed
PC3F1558IUF00	6.5"	High	UP-42F UP-42F-FC	UPS15-58 High UPS15-58-FC High	005F 007F 008F 008F-IFC	00R High 00R Med	NRF-22 LR-20WR	Astro 30 Astro 30-3 Astro 50-3 Astro 230C1	Star 16	Star S16 High
		Medium	UP15-42FC	UPS15-58 Low UPS15-58-FC Low	005F-IFC 006F 006F-IFC 007F-IFC	00R Low	NRF9F/LW NRF-25 Med			Star S16 Med
		Low	UP15-18F UP15-18F-FC							
PC3F2699IUF00	6.5"	High	UP26-96F UP26-96F-FC UP26-116F UP26-116F-FC	UPS26-99 High UPS26-99-FC High	0011F 0011F-IFC 0013F 0013F-IFC		NRF-36 Med NRF-45 Med H-41	E7 Astro 50 Astro 50-3	Star 30F Star 32F	S21 High
		Medium	UP26-64F UP26-99FC	UPS26-99 Low UPS26-99-FC Low	0014F 0014F-IFC				Star 17 FX	S21 Med
		Low					NRF-33			Star S21 Low
PC3F4344IUF00	8.5"	High	UP43-44F UP43-44F-FC	UPS43-44 High UPS43-44-FC High			HV H-32	E16		
		Medium		UPS43-44 Med UPS43-44-FC Med	0010F 0012F-IFC	0010 Med	NRF-33	H32		
		Low		UPS43-44 Low UPS43-44-FC Low	0010F-IFC	0010 Low				

The information in this table is based on publicly available information as of the date of this publication. Honeywell is not liable if information is found to be incorrect. If the cross referenced model uses a flow check valve, then use a flow check with the Honeywell model as well.

## Automation and Control Solutions

In the U.S.:

Honeywell

1985 Douglas Drive North  
Golden Valley, MN 55422-3992

In Canada:

Honeywell Limited

35 Dynamic Drive  
Toronto, Ontario M1V 4Z9

67-7514 PR  
August 2011  
© 2011 Honeywell International Inc. 

# Honeywell