

# 80% GAS FURNACE JOBSITE INFORMATION SHEET

## OWNER:

Name: \_\_\_\_\_  
Street: \_\_\_\_\_  
City: \_\_\_\_\_ Zip: \_\_\_\_\_  
State/Province: \_\_\_\_\_ Phone: \_\_\_\_\_

DATE: \_\_\_\_\_

## PROBLEM DESCRIPTION:

\_\_\_\_\_  
\_\_\_\_\_

## SERVICING CONTRACTOR:

Name: \_\_\_\_\_  
Street: \_\_\_\_\_  
City: \_\_\_\_\_ Zip: \_\_\_\_\_  
State/Province: \_\_\_\_\_ Phone: \_\_\_\_\_

## DISTRIBUTOR:

Name: \_\_\_\_\_  
Street: \_\_\_\_\_  
City: \_\_\_\_\_ Zip: \_\_\_\_\_  
State/Province: \_\_\_\_\_  
Phone: \_\_\_\_\_

## PRODUCT INFORMATION:

Furnace Model Number: \_\_\_\_\_  
Evaporator Model Number: \_\_\_\_\_  
Installation Date: \_\_\_\_\_

Serial #: \_\_\_\_\_

Serial #: \_\_\_\_\_

## TEMPERATURES: (Figure 1)

- T1-Vent Temperature = \_\_\_\_\_  
- T2-Return Air = \_\_\_\_\_  
- T3-Supply Air = \_\_\_\_\_  
- Temperature Rise (T3-T2) = \_\_\_\_\_

## VENT: (Figure 2)

- Vent Material: Single Wall  Double Wall  HTPV   
- Common Vent Used? Yes  No   
① Diameter = \_\_\_\_\_  
② Total Length = \_\_\_\_\_  
③ Term. Length = \_\_\_\_\_  
④ Total Height = \_\_\_\_\_  
- Power Venter Used? Yes  No

## PRESSURES (Furnace Running): (Figure 1)

- P1-Manifold = \_\_\_\_\_  
- P2-Inlet Gas = \_\_\_\_\_  
- P3-Vent Pressure Switch = \_\_\_\_\_  
- Gas Pipe Diameter = \_\_\_\_\_  
- LP or Natural Gas = \_\_\_\_\_  
- Burner Orifice Size = \_\_\_\_\_

## VENT CONNECTION: (Figure 2)

	FURNACE	WATER HEATER
- Material:	Single Wall <input type="checkbox"/>	Single Wall <input type="checkbox"/>
	Double Wall <input type="checkbox"/>	Double Wall <input type="checkbox"/>
	HTPV <input type="checkbox"/>	HTPV <input type="checkbox"/>
⑤ Diameter=	_____	_____
⑥ Height =	_____	_____

## HIGH VOLTAGE CIRCUIT READINGS: (Figure 3)

① & ⑥ - Line Voltage \_\_\_\_\_  
② & ⑥ - IBM \_\_\_\_\_  
③ & ⑥ - IDM \_\_\_\_\_  
④ & ⑥ - Transformer \_\_\_\_\_  
① & ⑦ - L1 to Earth Ground \_\_\_\_\_  
⑥ & ⑦ - Neutral to Earth Ground \_\_\_\_\_  
⑤ & ⑥ - HSI Voltage during "warm-up" \_\_\_\_\_

## OTHER NECESSARY DATA: (Figure 2)

- Is return air intake sealed and terminating outside furnace area? \_\_\_\_\_  
- Fault Code Number of Flashes (Fig. 1) \_\_\_\_\_  
- Electronic Thermostat? Yes  No

## LOW VOLTAGE CIRCUIT READINGS: (Figure 4)

⑧ & ⑨ - Transformer Control Voltage \_\_\_\_\_  
⑩ to ⑫ - MRLC & LC    ⑩ to ⑪: \_\_\_\_\_    ⑩ to ⑫: \_\_\_\_\_  
⑬ & ⑭ - Vent Pressure Switch \_\_\_\_\_  
⑮ & ⑯ - Gas Valve \_\_\_\_\_  
⑰ - Flame Sensor Micro Amp \_\_\_\_\_

REQUESTED BY: \_\_\_\_\_

Figure 1

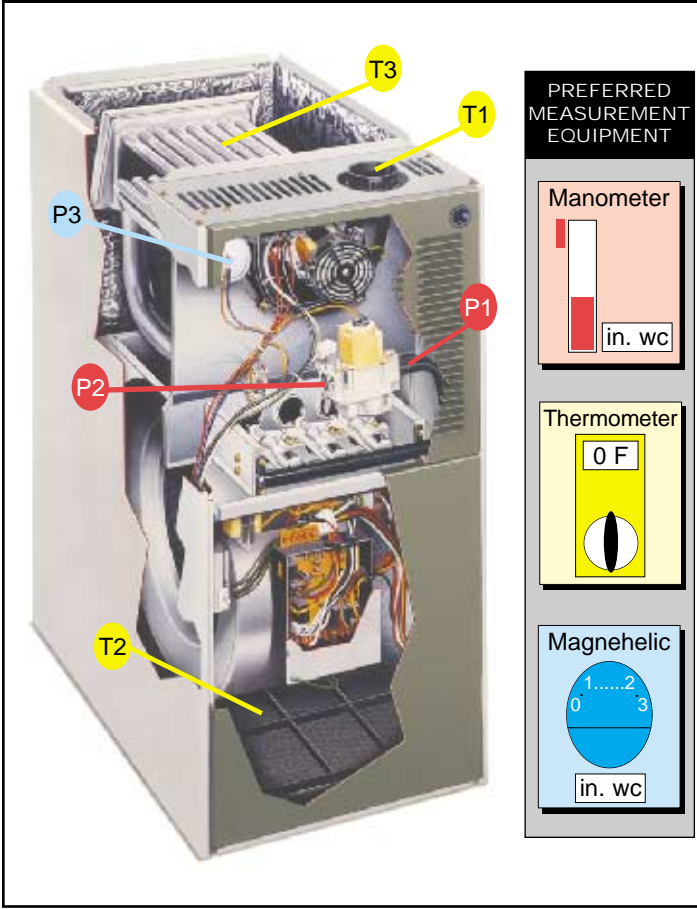


Figure 2

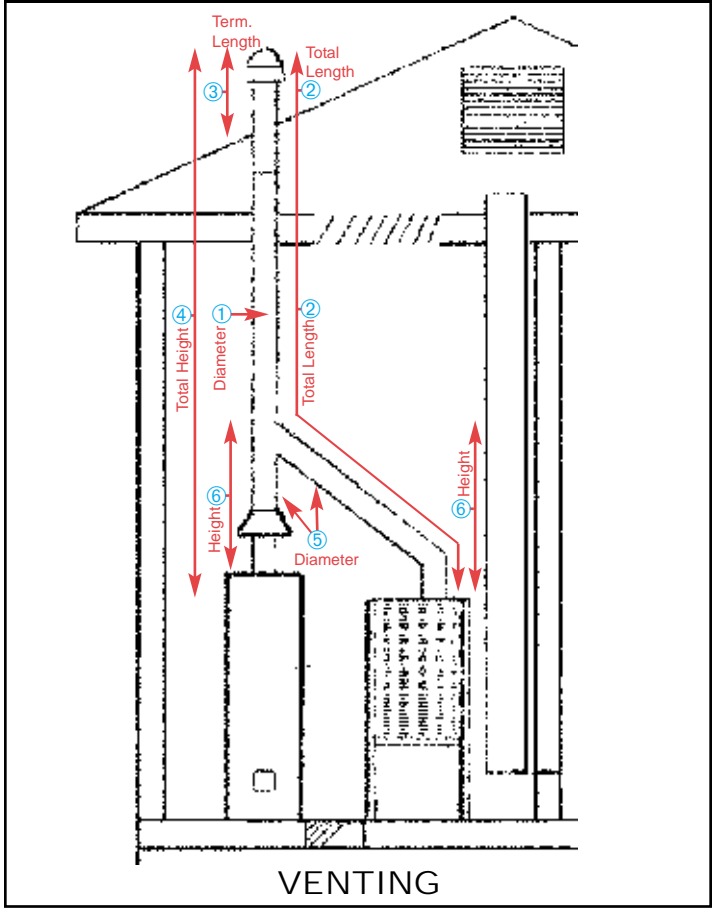


Figure 3

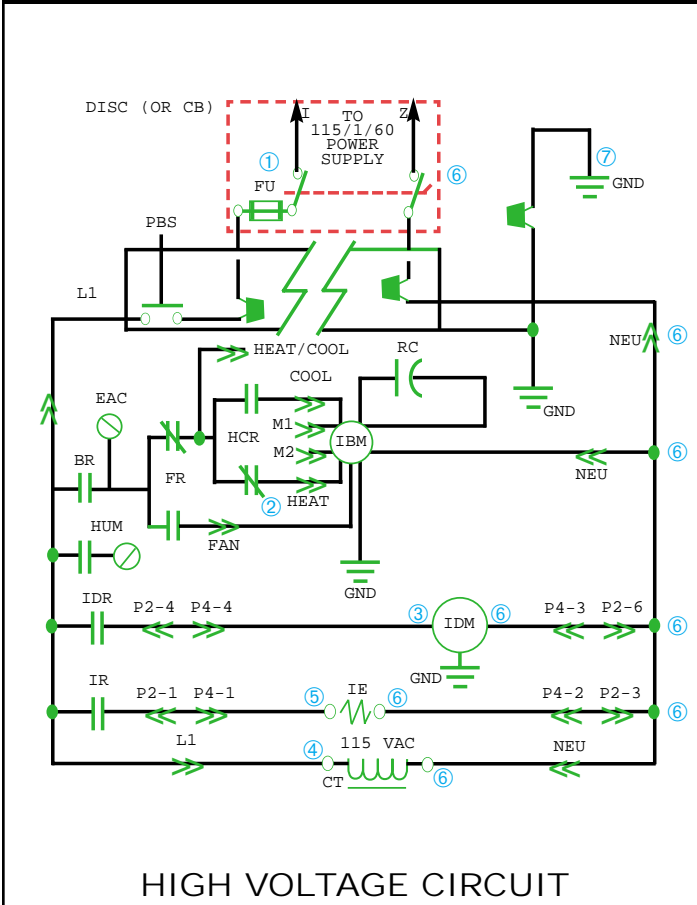


Figure 4

